

MODEL AIR BRUSH

■ SPECIFICATIONS

HS-116C

Nozzle diameter: **0.3/0.5/0.8mm**

Fluid Cup capacity: **2cc-5cc-13cc**

■ APPLICATIONS

Commercial arts, illustrations, photo retouching, hobby and crafts.

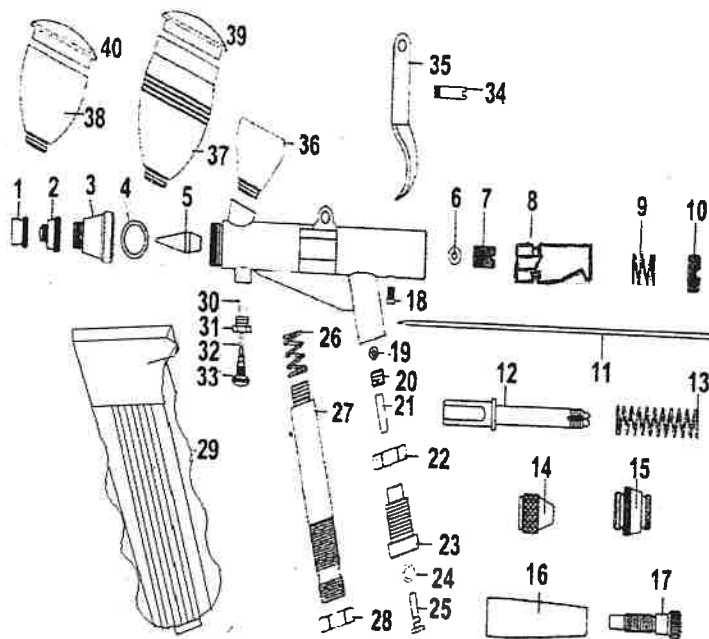
■ HOW TO SPRAY

1. Fill fluid in the cup after thinning appropriately.
2. Hold the airbrush lightly in your hand.
3. By pressing the main lever, a stream of air emerges. Then draw it backward gradually for Color atomization.
4. The spray pattern is in accordance with the distance between a work surface and a air brush.
5. For fine line spray, remove the needle cover and hold the air brush near a work surface.

■ MAINTENANCE

1. Empty the fluid cup and wash with water or solvent by a brush.
2. Refill cup with water or solvent, then block the needle cover with a finger and spray. The air flows backward into nozzle to clean the paints remained the air brush.

PARTS DETAILS



Parts Name

1. Needle Cap
2. Nozzle Cap
3. Head Cap
4. O-Ring for Nozzle Cap
5. Nozzle
6. O-Ring for Needle Guide
7. Needle Guide
8. Slippery valve
9. Spring
10. Stopper
11. Needle
12. Needle Chucking Guide
13. Spring
14. Needle Chucking Net
15. Spring Case
16. Standard - Handle Adjusting
17. Adjusting Screw
18. Guide Screw
19. Lever Guide O-Ring
20. Lock Screw
21. Shaft
22. Nut
23. Valve Seat
24. Valve Rod O-Ring
25. Valve Rod
26. Valve Spring
27. Valve Body
28. Valve Screw
29. Handle
30. O-Ring
31. Set Screw
32. O-Ring
33. Adjuster

34. Guide Screw
35. Lever Handle
36. 2cc Color Cup
37. 13cc Color Cup
38. 5cc Color Cup
39. Lid for Color Cup
40. Lid for Color Cup